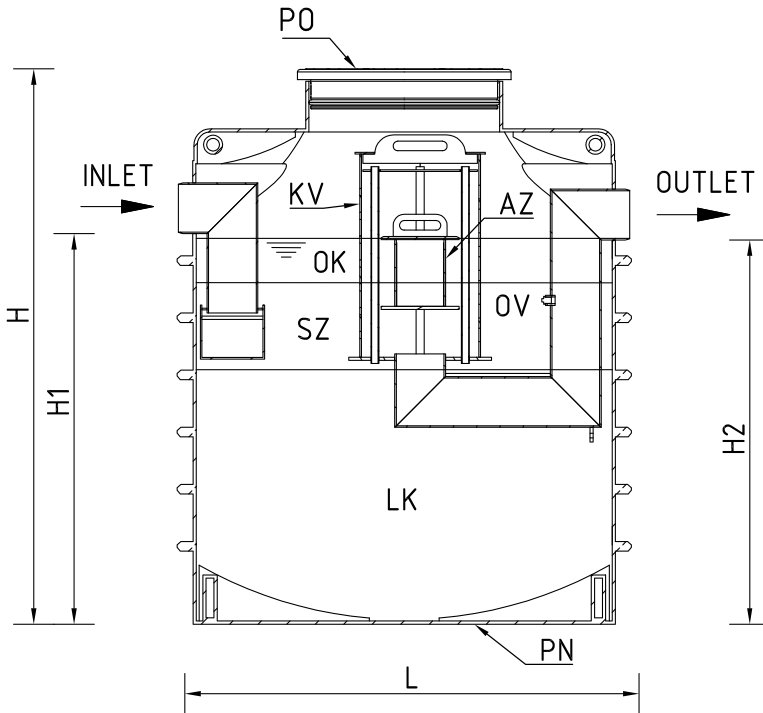


## Technology description



- AZ – automatic *shout-off*
- PN – plastic tank
- KV – coalescence insert
- LK – sludge trap
- OK – oil storage capacity
- OV – sampling point
- PO – access cover
- SZ – separation zone
- ZD – cover plate

## Load class B, C and D

